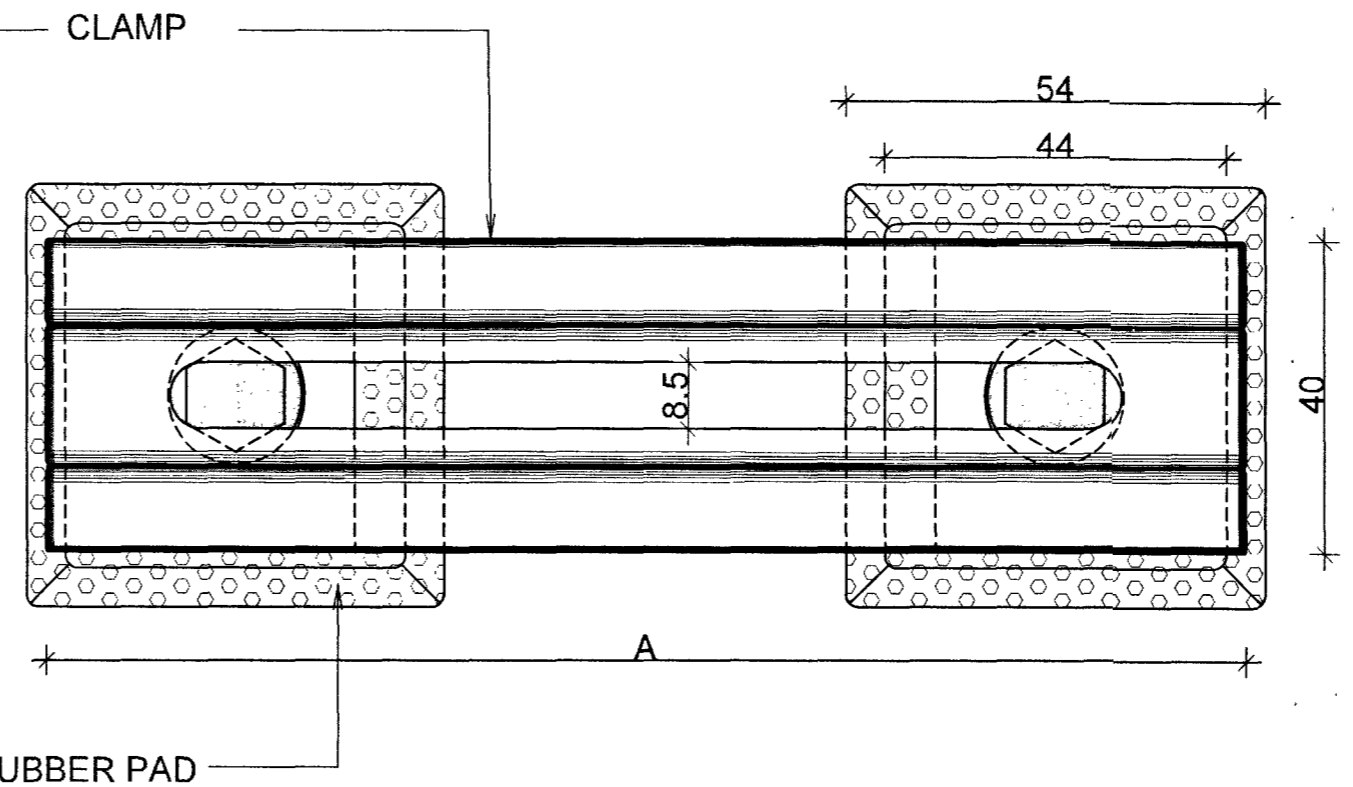
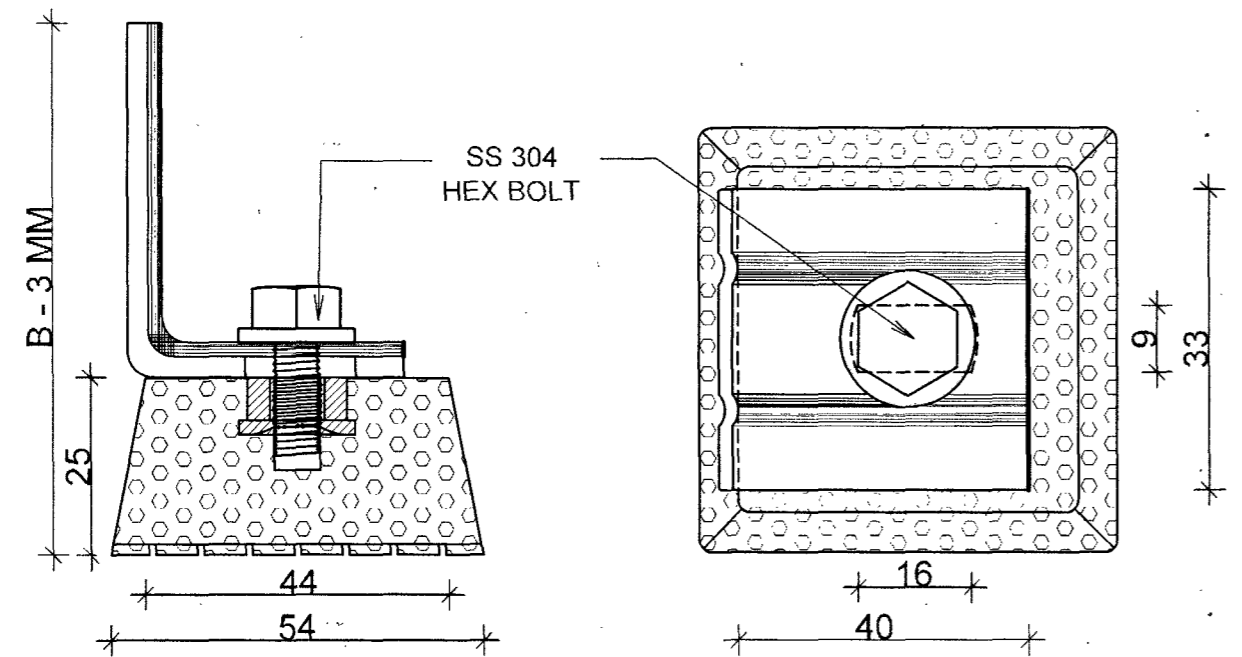


TERRACE FLOOR CLAMP - SECTION VIEW



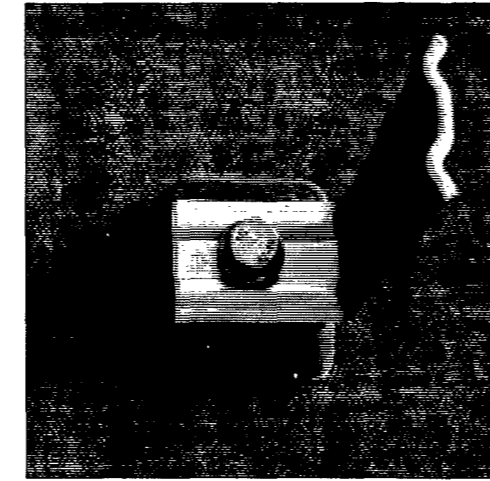
TERRACE FLOOR CLAMP - TOP VIEW



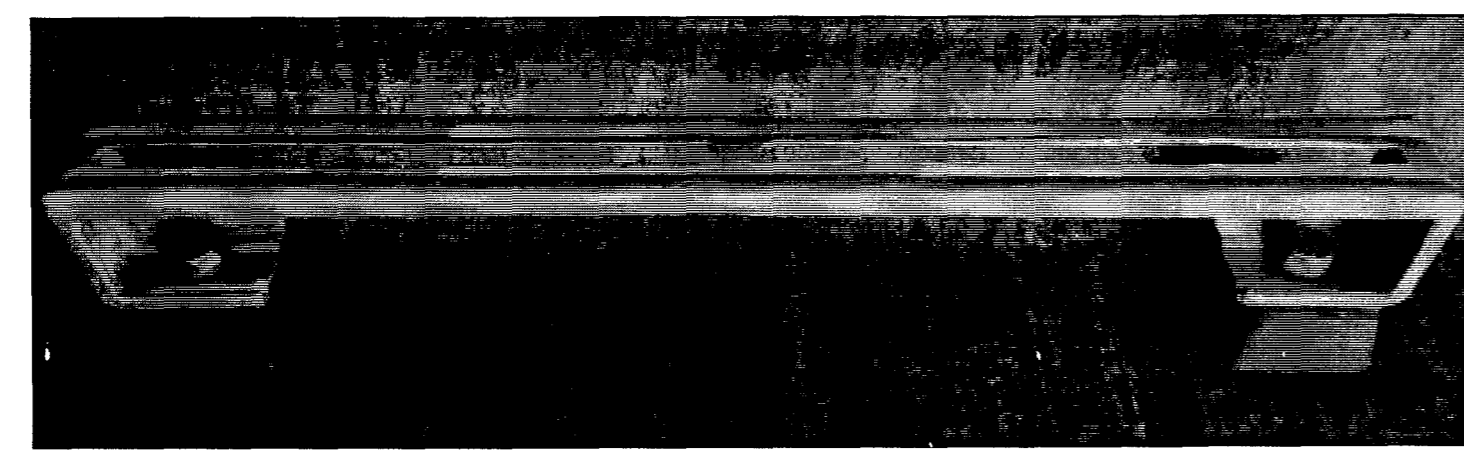
SECTION VIEW

TOP VIEW

ADDITIONAL SUPPORT FOR CLAMP



SUPPORT IMAGE



TERRACE FLOOR CLAMP



TERRACE FLOOR CLAMP FIXING AT SITE

- NOTES**
- THIS TD DRAWING SHALL BE READ IN CONJUNCTION WITH TD DRG CEPZ/2023/TD/03 (SHEET NO 1 TO 3)
 - ALL DIMENSIONS ARE GIVEN IN MILLIMETERS.
 - FIGURED DIMENSIONS SHALL BE FOLLOWED.
 - PROVIDING PIPE SUPPORT CLAMPS FOR WATER SUPPLY, FIRE FIGHTING AND SANITARY PIPES RUNNING HORIZONTALLY ON TERRACE FLOOR LEVEL TO BE RAISED AT A SPECIFIED HEIGHT ABOVE FLOOR LEVEL.
 - FIXING DETAILS:
 - WHEN THE FLOOR IS READY WITH FLOOR FINISH AT TERRACE LEVEL, THE SURFACE TO BE PREPARED FOR FIXING OF HORIZONTALLY RUNNING PIPES.
 - THE WATER SUPPLY, FIRE FIGHTING AND SANITARY PIPES AS PER DESIGN PARAMETERS SHALL BE DETERMINED AND LAID FOR FIXING WITH CLAMPS.
 - THE CLAMPS LENGTH SIZE (A), HEIGHT (B), ADDITIONAL SUPPORT (IF REQUIRED) AND INTERVAL BETWEEN CLAMP SUPPORTS SHALL BE IN ACCORDANCE WITH:
 - NO. OF PIPES.
 - SIZE OF PIPES.
 - SPACE / DISTANCE BETWEEN THE PIPES.
 - HEIGHT FROM THE FLOOR LEVEL / SLOPE.
 - THE FIXING OF THE PIPES ON THE CLAMP TO BE DONE WITH U BOLT AS PER THE PIPE SIZE - FOR DETAILS OF U BOLT.
 - TECHNICAL PRODUCT SPECIFICATIONS:
 - THE CLAMP TO BE MADE OF LOW CARBON HOT ROLL GAUGE CORRECTED OIL PICKLED & DRAWN (HROP D) STEEL (IS 1079); MATERIAL STRIP SIZE OF 48 MM WIDTH X 3 MM THICKNESS WITH RIBS AND NOTCHES; HOT DIP GALVANIZED (IS2629) + ZINC ALUMINUM (ZN AL) FLAKE COATED TO COMPLY WITH SALT SPRAY TEST (TEST METHOD - ASTM B-117-2019) RESULT 2000 HRS. FOR SPECIAL CONDITIONS (HIGH CORROSIVE AREAS) STAINLESS STEEL (SS) MATERIAL CLAMP SHALL BE USED.
 - RUBBER PAD MADE OF NITRILE BUTADIENE RUBBER GREEN (NBR 35/45 FRANCE) HAVING OIL, WEATHER, WATER AND HEAT RESISTANCE PROPERTIES; DIMENSION : BASE - 54 MM X 54 MM; TAPERED ABOVE TO 44 MM X 44 MM AND HEIGHT 25 MM; INSERTED WITH SS304 HEX FLANGE NUT BSW 5/16 X 18 X 8 X 13 WITH SERRATION AS PER DIN 6923.
 - THE CLAMP AND RUBBER PAD ARE COMBINED TOGETHER USING SS304 HEX FLANGE BOLT WITH SERRATION 5/16 X 3/4 (A/F 13MM) AS PER DIN 6921.

No.	DESCRIPTION	Date	SIGN
REVISION			
FACTORY MADE PIPE SUPPORTING SYSTEM			
DETAILS OF TERRACE FLOOR CLAMP			
DATE	01-03-2024	SHT NO	
DRN	SUB MU PAWAR	CHIEF ENGINEER PUNE ZONE	1/1
TCD			
CKD			
SCALE	DRG NO:- CEPZ/2024/TD/ 01		
AAD (ARCH)	<i>W. Pawar</i> DY DIR (ARCH)	<i>Dir</i> DIR (ARCH) FOR CHIEF ENGINEER	